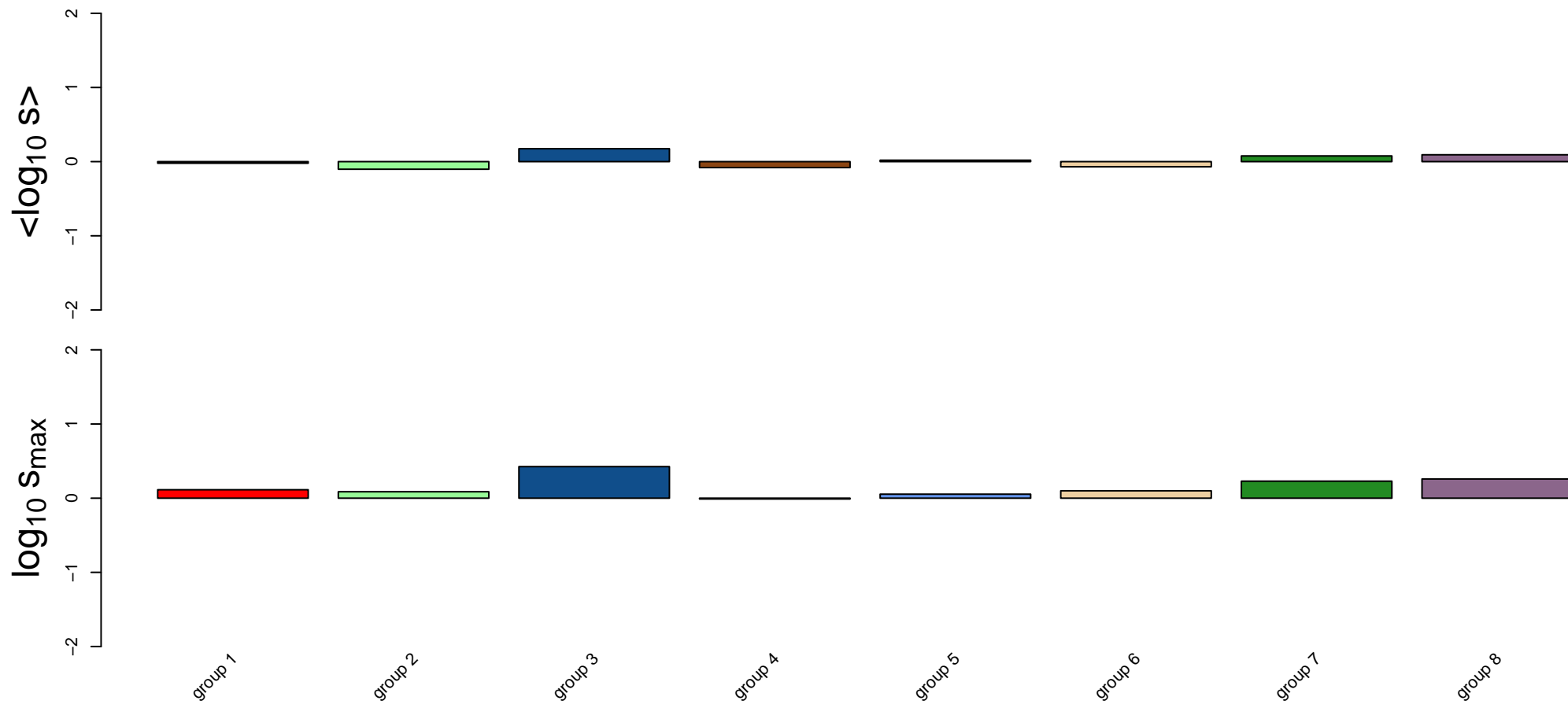
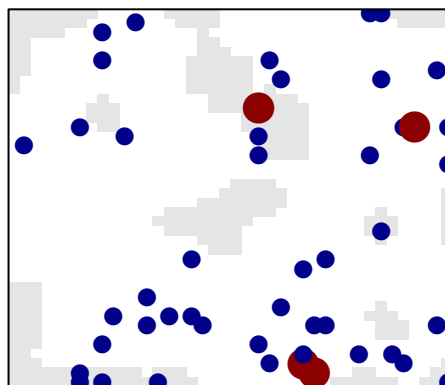
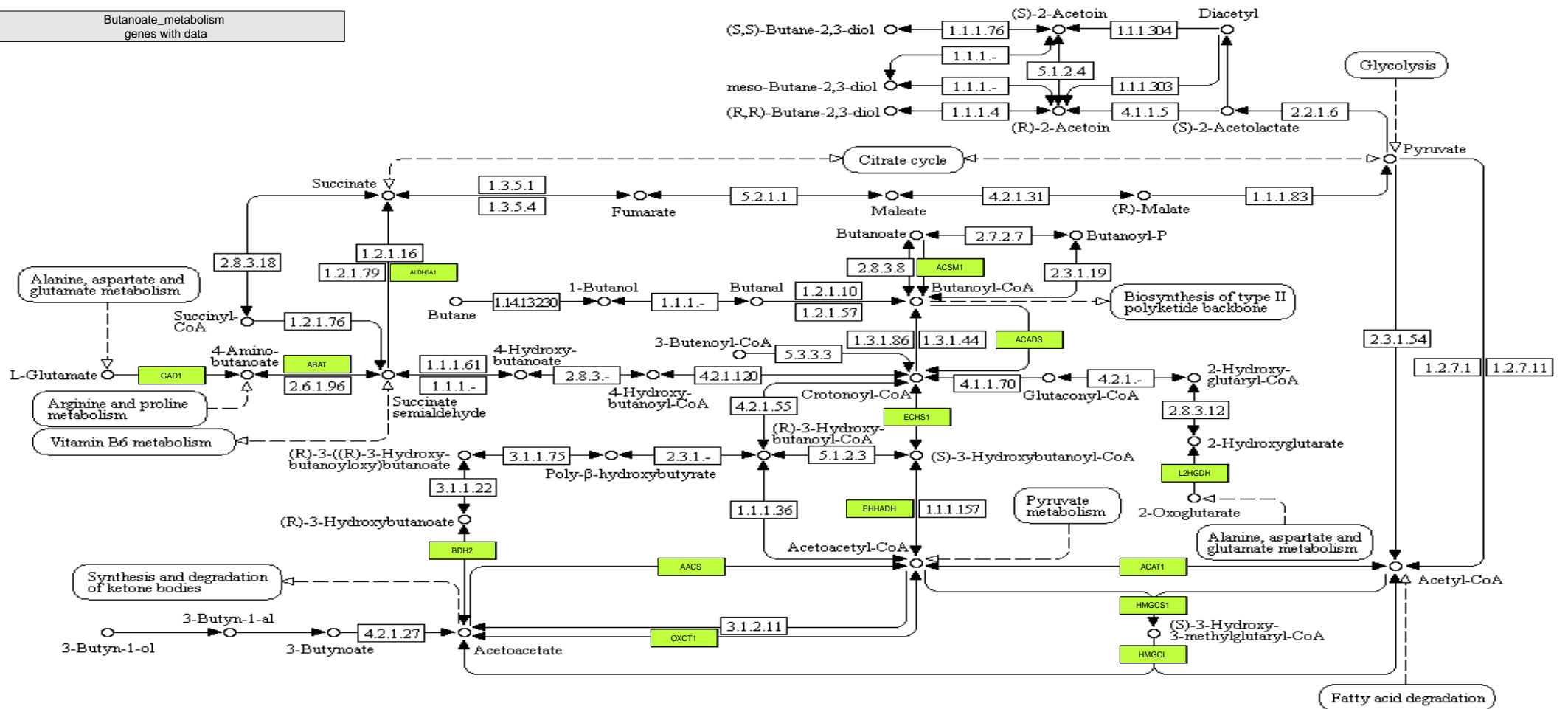


# Butanoate metabolism

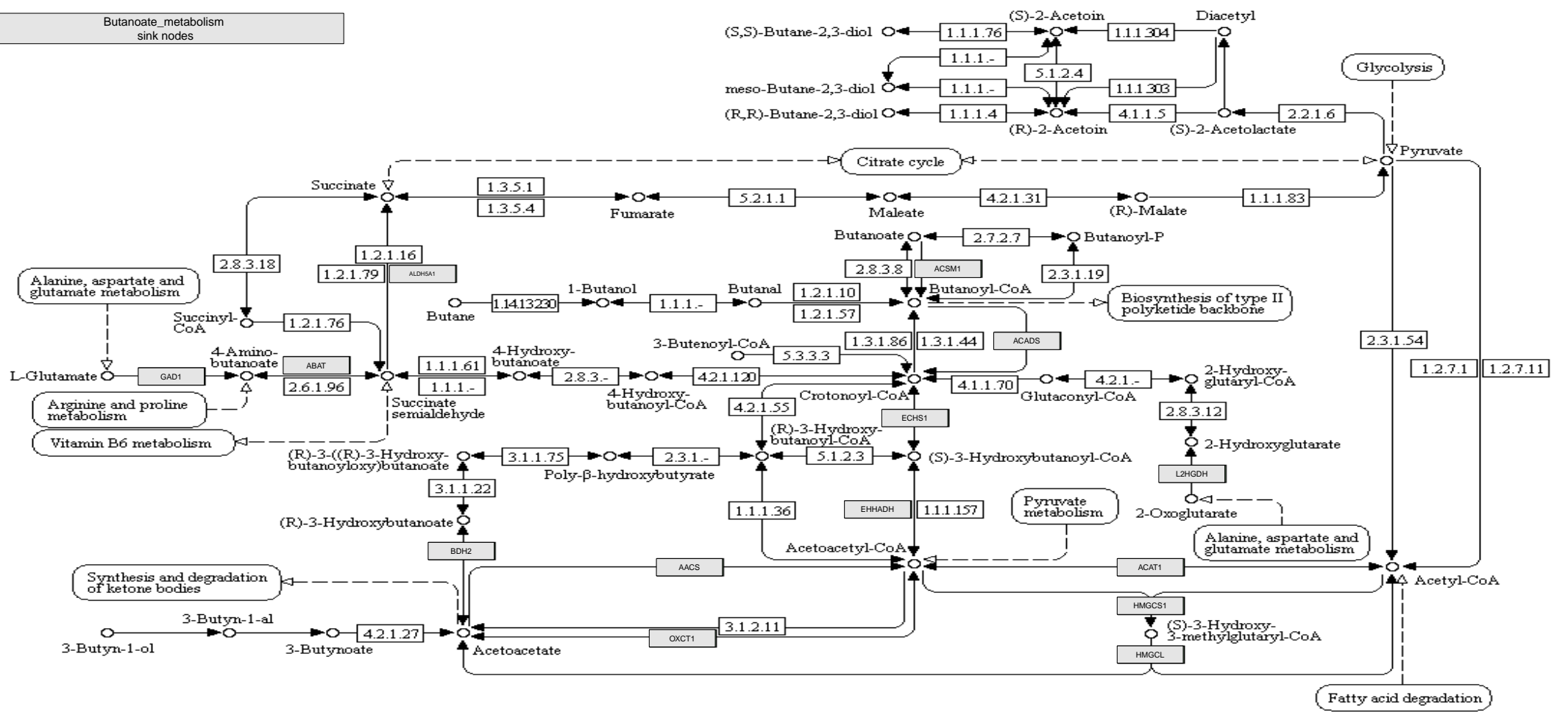
all genes



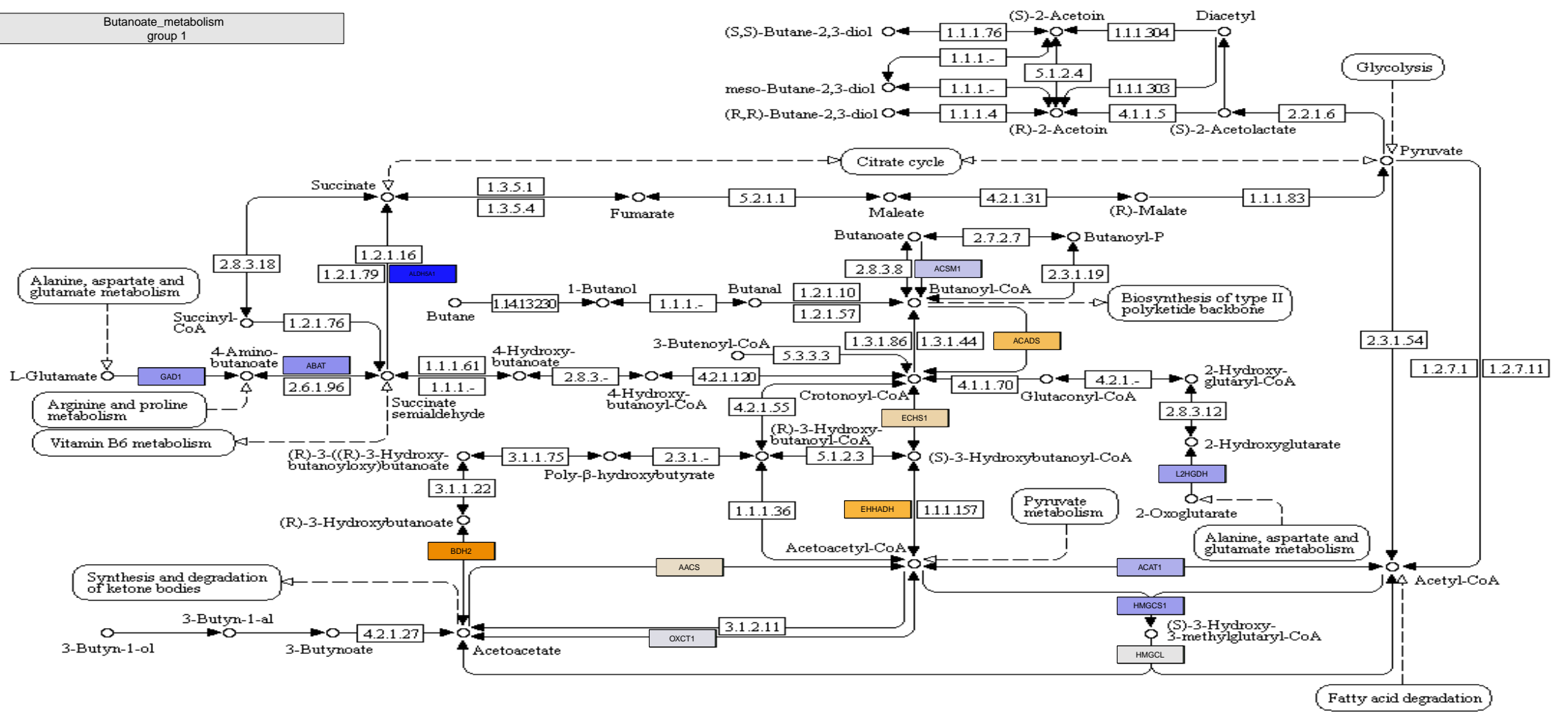
Butanoate\_metabolism  
genes with data



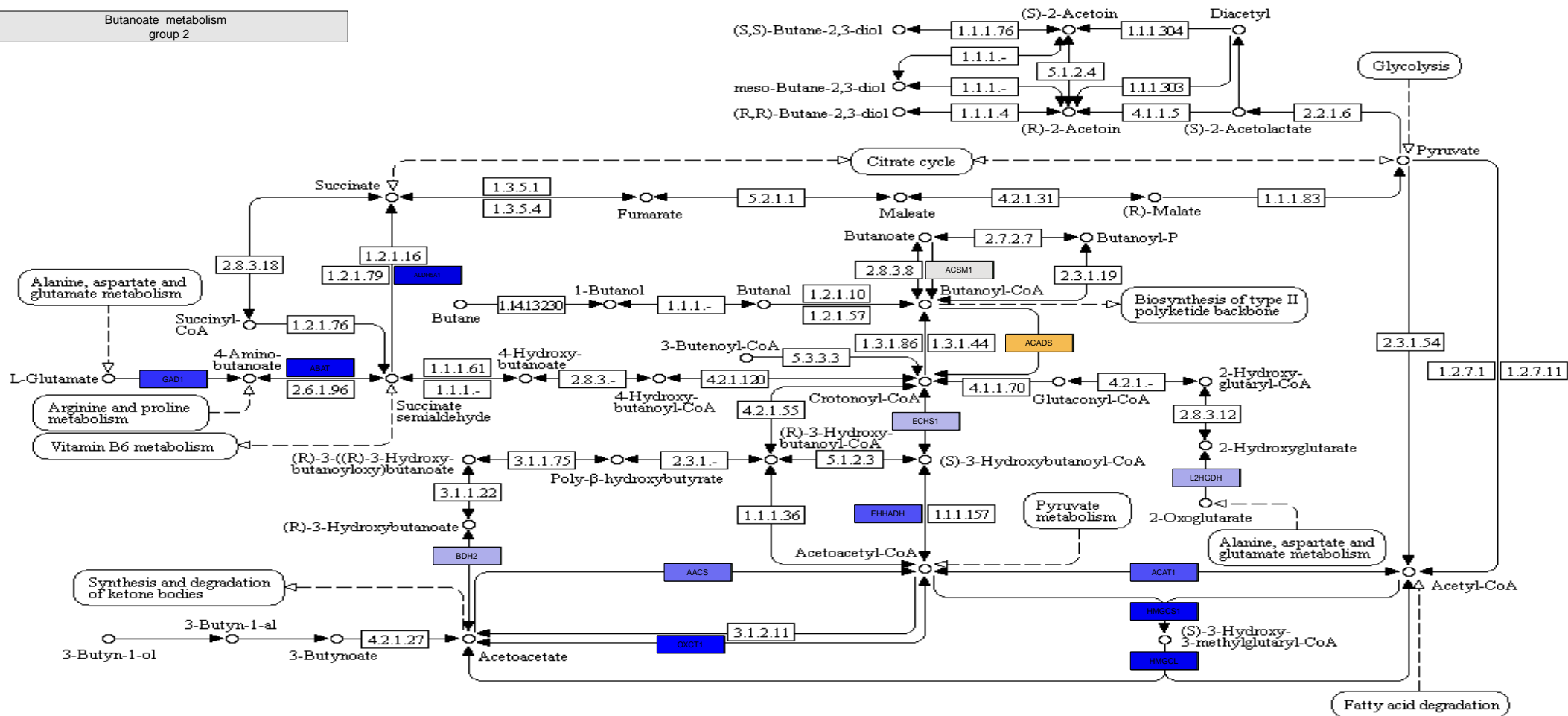
Butanoate\_metabolism sink nodes



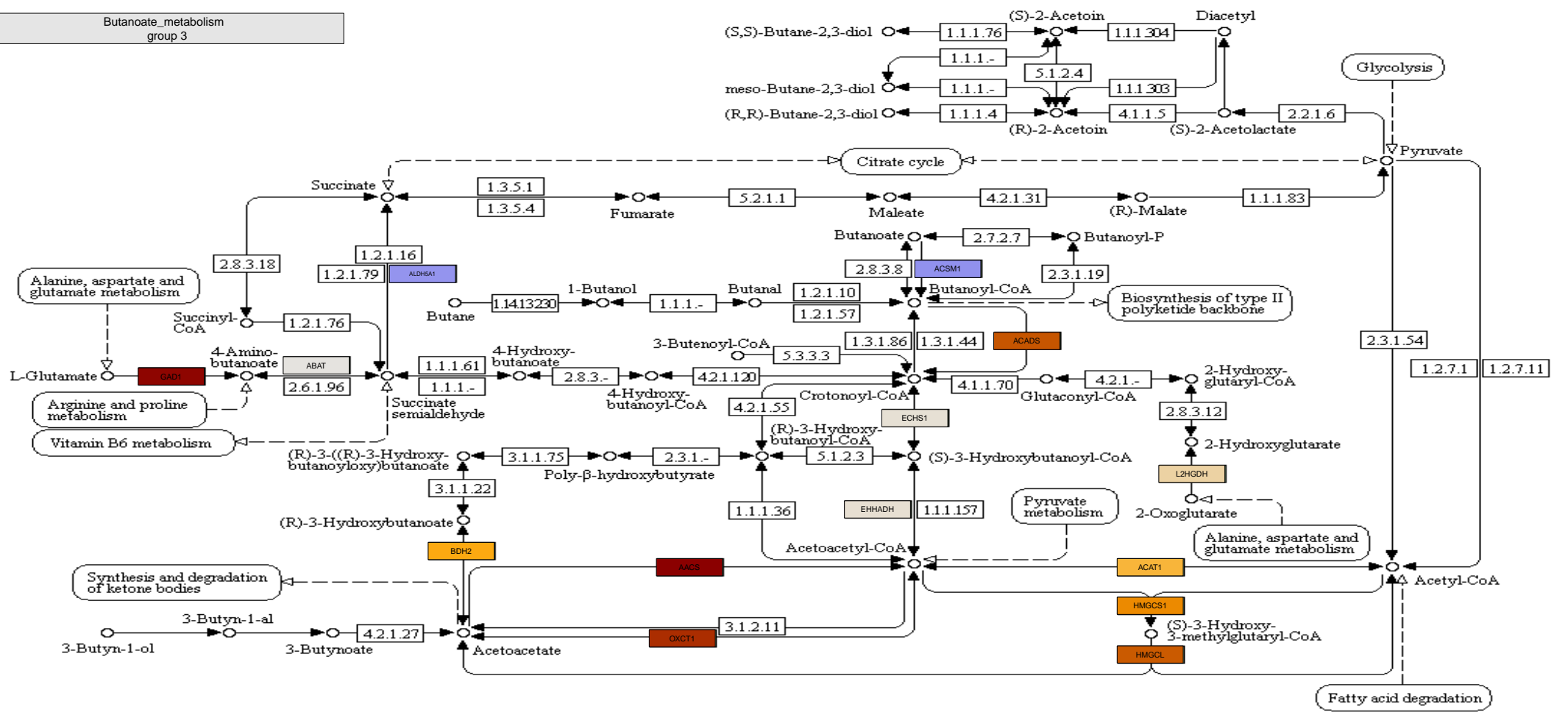
Butanoate\_metabolism group 1



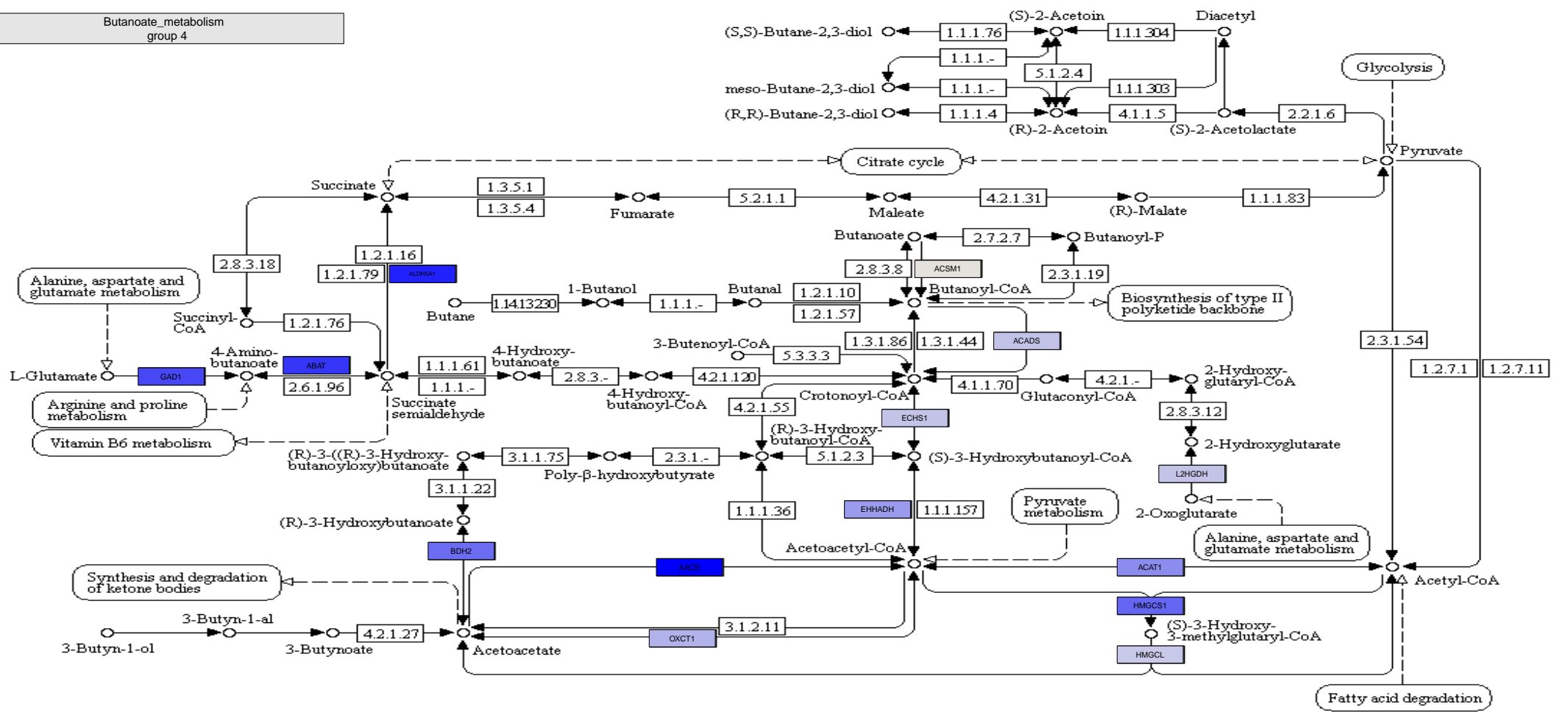
Butanoate\_metabolism group 2



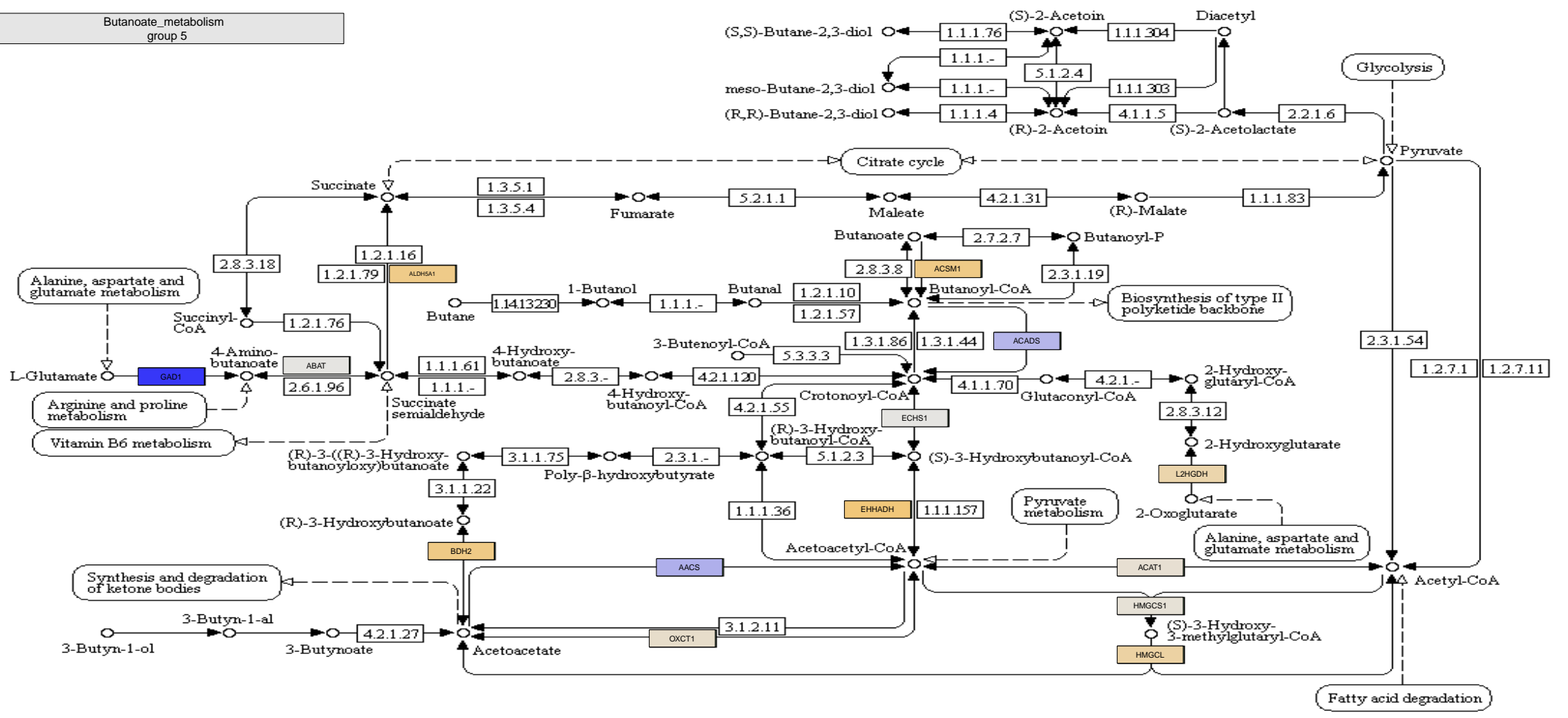
Butanoate\_metabolism group 3



Butanoate\_metabolism group 4

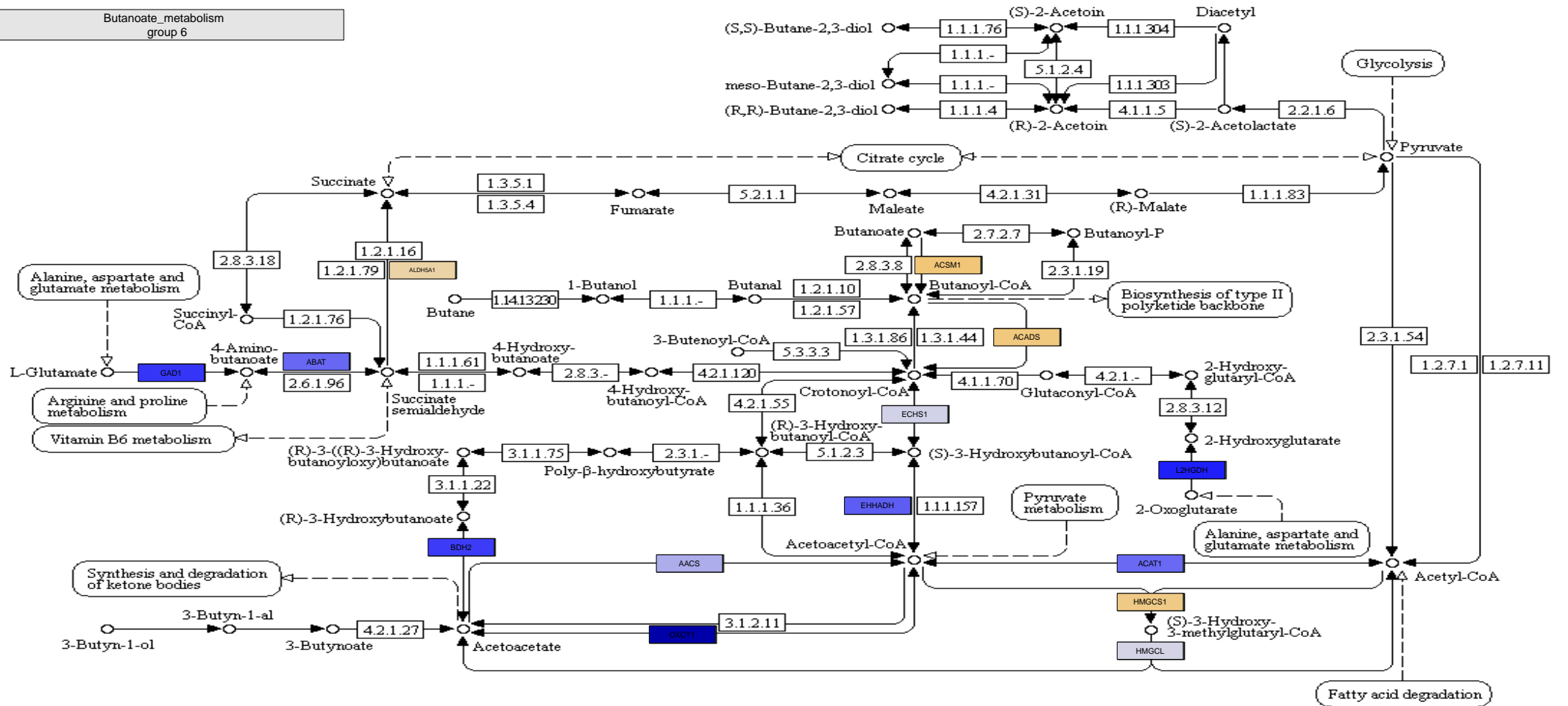


Butanoate\_metabolism group 5

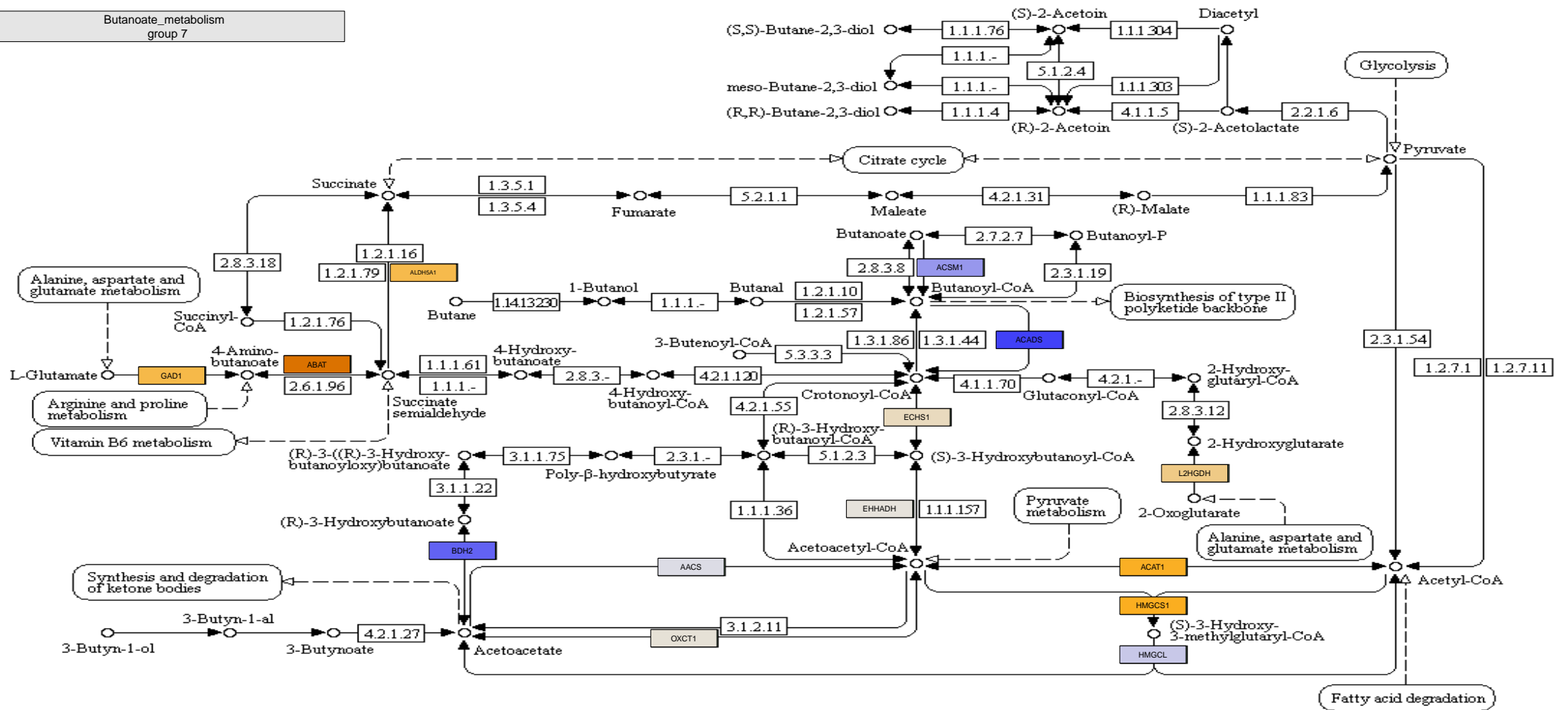




Butanoate\_metabolism group 6



Butanoate\_metabolism group 7



Butanoate\_metabolism group 8

